

# LPM-101

## LP-Gas Flowmeter Technical Bulletin



Designed for applications which require accurate recordings for fuel consumption and inventory control, the Liqua-Tech LPM-101 flowmeter can be used for either high pressure LP-gas liquid (350 psi) or lower pressure refined fuel. The LPM-101 is unique in handling low-flow or high-flow operations.

Construction is of durable ductile iron housings and a replaceable measuring chamber and gear train. The LPM-101 is also available with Liqua-Tech's patented Trac-Bearing® measuring chamber option, for improved accuracy, reliability and lower maintenance. The Trac-Bearing® design controls and stabilizes piston rotation more efficiently than standard control rollers, resulting in greater sustained linear accuracy with less wear.

### Primary Features

At the heart of the model LPM-101 flowmeter is the superior Liqua-Tech measuring chamber, featuring our innovative hard coated piston with special dense metal oxide finish and hardened steel bearing shaft.

The LPM-101 comes standard with a 3" dial, 157-style totalizing, non-resettable register with liter or gallon gear train for proven quality, reliability and low operating torque. Optional Veeder-Root non-printing register with direct reading resettable counter and totalizer is available.

The LPM-101 is fabricated from the highest quality raw materials machined and assembled with Liqua-Tech's exacting attention to detail. Each meter is pressure and flow tested for accuracy. Records on all meters and chambers are kept on file at Liqua-Tech's manufacturing facility.

Neptune is a registered trademark of Red Seal Measurement. Liqua-Tech is an unaffiliated manufacturer of replacement Parts for Neptune Flowmeters.

### Specifications

**Rate of Flow:**

Low Range: 1.66 - 5.0 gpm  
Range: 3.0 - 18.0 gpm

**Working Pressure:** 350 psi (24 bar) maximum (24.6 kg/cm<sup>2</sup>)

**Connections:** 3/4" or 1" NPT companion flange

**Units of Measure:** Calibration is in U.S. gallons, pints, or liters.

**Operating Temperature:** -10 °F to 125 °F (-23 °C to 52 °C)

**Physical Dimensions:** With 3" horizontal totalizing, non-resettable register.

Height: 10<sup>13</sup>/<sub>16</sub>"

Width: 7<sup>5</sup>/<sub>8</sub>"

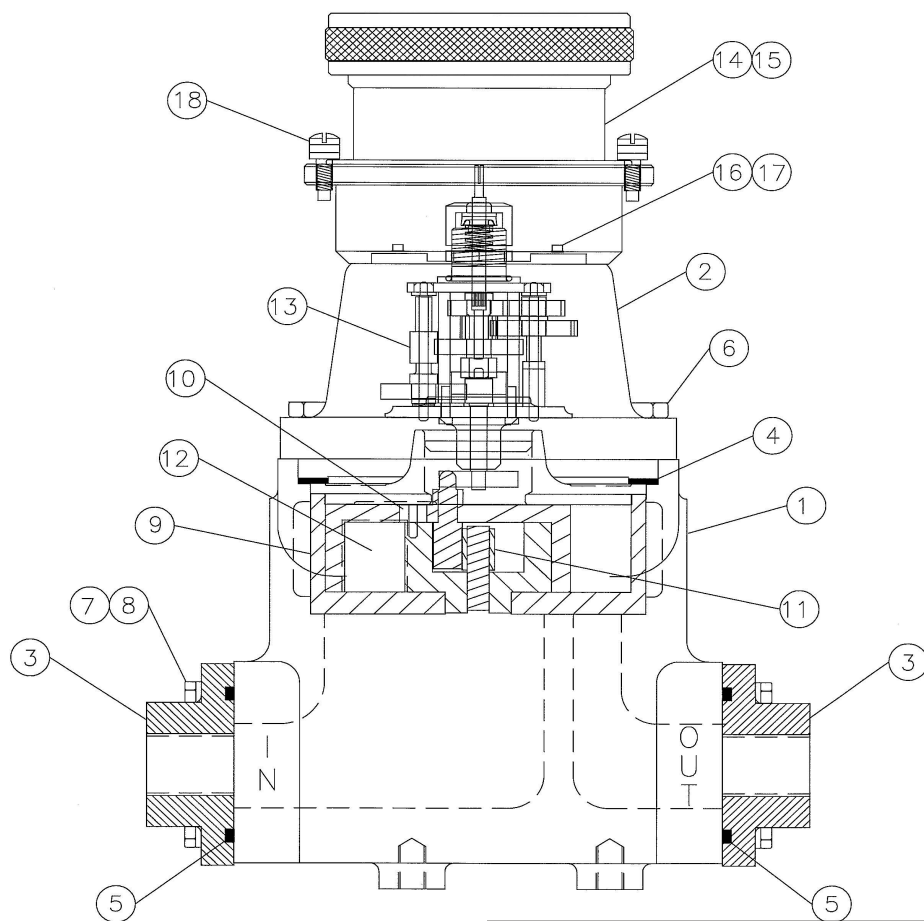
**Shipping Weight:** (with register) 25lbs.



# LPM-101

## LP-Gas Flowmeter

### Parts List



Ref. #	Description	Part Number
1	Main case housing	L087201-000
2	Cover main case	L087173-710
3	¾" Flange inlet/outlet	L087180-710
	1" Flange inlet/outlet	L087180-711
4	Gasket, main case	L004861-016
5	O-ring, inlet/outlet flange	L100139-007
6	Bolt, hex head, 7/16" NC x 1¼", drilled	L040237-005
	Bolt, hex head, 7/16" NC x 1¼", undrilled	L040237-004

Ref. #	Description	Part Number
7	Bolt, hex head, 5/16" NC x 1"	L100063-026
8	Lock washer, split 5/16"	L100121-010
9	Measuring chamber	L042075-101
10	Seal pin	L042792-000
11	Roller control	L042086-010
12	Diaphragm	L042791-000
13	Gear train, 43.5 ratio, U.S. Gallons	L080905-017
	Gear Train 11.6 Liter	L080905-011
14	Register cover box complete	L801668-001
15	Horizontal non-resetable totalizer register	L080605-XXX
16	Screw, 10-32x3/8", soc cap	L008425-010
17	Lock washer, split, #10	L041211-000
18	Screw, Cover	L009287-003

